

Explosionproof Enclosures & Components - IEC Motor Control

8D-1



Explosionproof enclosures suitable for housing IEC (International Electrotechnical Commission) style motor starters and combination starters. Sizes from 8" x 8" x 4" up to 12" x 18" x 6". Design options include: pushbutton and switch operators, pilot lights, push-to-test lights, breather/drains, auxiliary contacts, Lamacold™ nameplates, and control transformers with fuse blocks.

Enclosures are classified by UL/cUL as to explosion and fire hazards.

Compliances:

Class I, Groups C, D
Class II, Groups E, F, G
Type 4



IEC Motor Starters - Starters Included

For ABB Components

Catalog Number	Enclosure Size	Amp Rating	HP at 480 Volts
XSIAA9	XCE 080804	9	5
XSIAA11	XCE 080804	11	7.5
XDIAA17	XCE 080804	17	10
XSIAA25	XCE 080806	25	15
XSICA28	XCE 101006	28	20
XSICA32	XCE 101006	32	25
XSICA41	XCE 101006	41	30
XSICA54	XCE 101006	54	40
XSIDA65	XCE 101206	65	50
XSIDA80	XCE 101206	80	60
XSIEA110	XCE 1014D6	110	75

For Cutler-Hammer Components

XSIAH10	XCE 080804	9	5
XSIAH12	XCE 080804	12	7.5
XSIAH18	XCE 080804	18	10
XSIAH25	XCE 080804	25	15
XSICH32	XCE 101006	32	20
XSICH37	XCE 101006	37	25
XSICH44	XCE 101006	44	30
XSICH60	XCE 101006	60	40
XSIDH73	XCE 101206	73	50

For Siemens Components

XSIAS9	XCE 080804	9	5
XSIAS12	XCE 080804	12	7.5
XSIAS17	XCE 080804	17	10
XSIAS25	XCE 080804	25	15
XSICS28	XCE 101006	28	20
XSICS32	XCE 101006	32	25
XSICS40	XCE 101006	40	30
XSICS50	XCE 101006	50	40
XSID65	XCE 101206	65	50
XSID80	XCE 101206	80	60
XSID95	XCE 101206	95	75

For Square D Components

XSIAD9	XCE 080804	9	5
XSIAD12	XCE 080804	12	7.5
XSIAD18	XCE 080804	18	10
XSIBD25	XCE 080806	25	15
XSIBD32	XCE 080806	32	20
XSICD37	XCE 101006	37	25
XSICD40	XCE 101006	40	30
XSICD50	XCE 101006	50	40
XSIDD65	XCE 101206	65	50
XSIDD80	XCE 101206	80	60

IEC Combination Motor Starters - Components Included

For ABB Components

Catalog Number	Enclosure Size	Amp Rating	HP at 480 Volts
XCIAA9	XCE 1014D6	9	5
XCIAA11	XCE 1014D6	11	7.5
XCIAA17	XCE 1014D6	17	10
XCIAA25	XCE 1014D6	25	15
XCIAA28	XCE 1014D6	28	20
XCIAA32	XCE 1014D6	32	25
XCIAA41	XCE 1014D6	41	30
XCIAA54	XCE 1014D6	54	40
XCIAA65	XCE 1014D6	65	50
XCIBB80	XCE 121806	80	60
XCIBB110	XCE 121806	110	75

For Cutler-Hammer Components

XCIAH10	XCE 1014D6	10	5
XCIAH12	XCE 1014D6	12	7.5
XCIAH18	XCE 1014D6	18	10
XCIAH25	XCE 1014D6	25	15
XCIAH32	XCE 1014D6	32	20
XCIAH37	XCE 1014D6	37	25
XCIAH44	XCE 1014D6	44	30
XCIAH60	XCE 1014D6	50	40
XCIAH73	XCE 1014D6	73	50

For Siemens Components

XCIAS9	XCE 1014D6	9	5
XCIAS12	XCE 1014D6	12	7.5
XCIAS17	XCE 1014D6	17	10
XCIAS25	XCE 1014D6	25	15
XCIAS28	XCE 1014D6	28	20
XCIAS32	XCE 1014D6	32	25
XCIAS40	XCE 1014D6	40	30
XCIAS50	XCE 1014D6	50	40
XCIBS65	XCE 121806	65	50
XCIBS80	XCE 121806	80	60
XCIBS95	XCE 121806	95	75

For Square D Components

XCIAD9	XCE 1014D6	9	5
XCIAD12	XCE 1014D6	12	7.5
XCIAD18	XCE 1014D6	18	10
XCIAD25	XCE 1014D6	25	15
XCIAD32	XCE 1014D6	32	20
XCIAD37	XCE 1014D6	37	25
XCIAD40	XCE 1014D6	40	30
XCIAD50	XCE 1014D6	50	40
XCIAD65	XCE 1014D6	65	50
XCIBD80	XCE 121806	80	60

Explosionproof Enclosures & Components - IEC Motor Control

IEC Motor Starters *Enclosures only*

For ABB Components

Catalog Number	Enclosure Size	Amp Rating	HP at 480 Volts
XSIAA	XCE 080804	9	5
XSIAA	XCE 080804	11	7.5
XSIAA	XCE 080804	17	10
XSIAA	XCE 080804	25	15
XSICA	XCE 101006	28	20
XSICA	XCE 101006	32	25
XSICA	XCE 101006	41	30
XSICA	XCE 101006	54	40
XSIDA	XCE 101206	65	50
XSIDA	XCE 101206	80	60
XSIEA	XCE 1014D6	110	75

For Cutler-Hammer Components

XSIAH	XCE 080804	10	5
XSIAH	XCE 080804	12	7.5
XSIAH	XCE 080804	18	10
XSIAH	XCE 080804	25	15
XSICH	XCE 101006	32	20
XSICH	XCE 101006	37	25
XSICH	XCE 101006	44	30
XSICH	XCE 101006	60	40
XSIDH	XCE 101206	73	50

For Siemens Components

XSIAS	XCE 080804	9	5
XSIAS	XCE 080804	12	7.5
XSIAS	XCE 080804	17	10
XSIAS	XCE 080804	25	15
XSICS	XCE 101006	28	20
XSICS	XCE 101006	32	25
XSICS	XCE 101006	40	30
XSICS	XCE 101006	50	40
XSIDS	XCE 101206	65	50
XSIDS	XCE 101206	80	60
XSIDS	XCE 101206	95	75

For Square D Components

XSIAD	XCE 080804	9	5
XSIAD	XCE 080804	12	7.5
XSIAD	XCE 080804	18	10
XSIBD	XCE 080806	25	15
XSIBD	XCE 080806	32	20
XSICD	XCE 101006	37	25
XSICD	XCE 101006	40	30
XSICD	XCE 101006	50	40
XSIDD	XCE 101206	65	50
XSIDD	XCE 101206	80	60

IEC Combination Motor Starters *Enclosures only*

For ABB Components

Catalog Number	Enclosure Size	Amp Rating	HP at 480 Volts
XCIAA	XCE 1014D6	9	5
XCIAA	XCE 1014D6	11	7.5
XCIAA	XCE 1014D6	17	10
XCIAA	XCE 1014D6	25	15
XCIAA	XCE 1014D6	28	20
XCIAA	XCE 1014D6	32	25
XCIAA	XCE 1014D6	41	30
XCIAA	XCE 1014D6	54	40
XCIAA	XCE 1014D6	65	50
XCIBB	XCE 121806	80	60
XCIBB	XCE 121806	110	75

For Cutler-Hammer Components

XCIAH	XCE 1014D6	10	5
XCIAH	XCE 1014D6	12	7.5
XCIAH	XCE 1014D6	18	10
XCIAH	XCE 1014D6	25	15
XCIAH	XCE 1014D6	32	20
XCIAH	XCE 1014D6	37	25
XCIAH	XCE 1014D6	44	30
XCIAH	XCE 1014D6	60	40
XCIAH	XCE 1014D6	73	50

For Siemens Components

XCIAS	XCE 1014D6	9	5
XCIAS	XCE 1014D6	12	7.5
XCIAS	XCE 1014D6	17	10
XCIAS	XCE 1014D6	25	15
XCIAS	XCE 1014D6	28	20
XCIAS	XCE 1014D6	32	25
XCIAS	XCE 1014D6	40	30
XCIAS	XCE 1014D6	50	40
XCIBS	XCE 121806	65	50
XCIBS	XCE 121806	80	60
XCIBS	XCE 121806	95	75

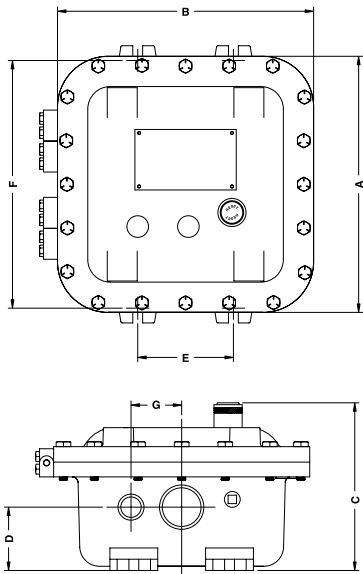
For Square D Components

XCIAD	XCE 1014D6	9	5
XCIAD	XCE 1014D6	12	7.5
XCIAD	XCE 1014D6	18	10
XCIAD	XCE 1014D6	25	15
XCIAD	XCE 1014D6	32	20
XCIAD	XCE 1014D6	37	25
XCIAD	XCE 1014D6	40	30
XCIAD	XCE 1014D6	50	40
XCIAD	XCE 1014D6	65	50
XCIBD	XCE 121806	80	60

Explosionproof Enclosures & Components - IEC Motor Control

8D-3

Starters Diagram



Combination Diagram

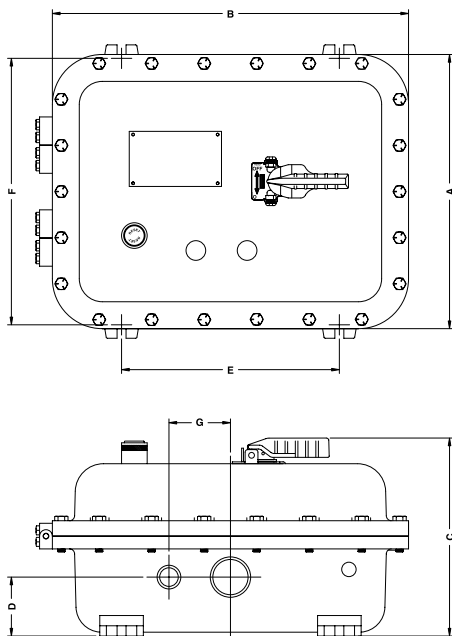


Diagram Specifications

Catalog No.	Base Enclosure XCE	A	Overall B	C	MTG E	MTG F	MTG BOLT	Conduit D	Location G	Conduit Size	Weight
Starters											
XSIA	080804	11.38	11.38	7.75	4.25	11	3/8	2.81	2.25	1-1/2	26
XSIB	080806	11.38	11.38	9.75	4.25	11	3/8	3.81	2.25	1-1/2	30
XSIC	101006	13.38	13.38	9.62	6.5	13	3/8	3.88	2.50	2	46
XSID	101206	13.38	15.38	10.25	8.5	13.25	3/8	4.13	2.5	2	48
XSIE	1014D6	13.38	17.38	9.75	10.62	13.25	3/8	2.88	2.5	2	51
Combinations											
XCIA	1014D6	13.38	17.38	9.75	10.62	13.25	3/8	2.88	3.0	1-1/2	51
XCIB	121806	16.25	22.25	10.12	14.12	15.75	1/2	4.00	3.0	2	95

Options

Description	Suffix	Combination Starter	Available On Non-Combination Starter	Universal Enclosure Only
Start/Stop Dual Pushbutton (1NO Start, 1NC Stop)	A	•	•	•
Green Start Pushbutton (1NO)	A1	•	•	•
Red Stop Pushbutton (1NC)	A2	•	•	•
Red Stop Pushbutton, Mushroom Head (1NC)	A3	•	•	•
Black Pushbutton (1NO, 1NC)	A4	•	•	•
Hand-Off-Auto Selector Switch	B	•	•	•
Selector Switch (2-Position) (1NO, 1NC)	B1	•	•	•
Pilot Light 120 Volt AC (*See Color Table)	C1*	•	•	•
Pilot Light with Guard 120 Volt AC (*See Color Table)	CG1*	•	•	•
Push-to-Test Light 120 Volt AC (1NO, 1NC) (*See Color Table)	CP1*†	•	•	•
Breather/Drain Installed in Bottom	E	•	•	•
Breather and Drain Installed	EE	•	•	•
Auxiliary Contacts on Starter (+NO,-NC) (Specify No. of Contacts)	G(+ -)	•	•	•
Lamacold Nameplate (Specify Legend)	NP	•	•	•
50 VA Control Transformer 480V Pri, 120V Sec. W/Fuse Block	T1F	•	•	•
100 VA Control Transformer 480V Pri, 120V Sec. W/Fuse Block	T2F	•	•	•
150 VA Control Transformer 480V Pri, 120 V Sec. W/Fuse Block	T3F	•	•	•
200 VA Control Transformer 480V Pri, 120V Sec. W/Fuse Block	T4F	•	•	•

*Color Table R-Red G-Green A-Amber B-Blue C-Clear W-White
 †Not available in Group B applications