

Motor Control Explosionproof Motor Starters

8C-1



XCBSLQN4

Features:

- Lightweight, corrosion resistant, copper-free aluminum alloy (0.3% max. copper content).
- Uniform wall thickness (not ribbed) for versatility of conduit openings assuring 5 full thread engagement and maximum available area for conduit drilling and tapping.
- Captive stainless steel cover bolts resist corrosion and cannot get lost.
- Ground lug is highly visible and accessible.
- Bolted flange design provides clear access to internal components.
- Rugged cast aluminum handle allows locking in "on" or "off" position with as many as three padlocks.
- Clevis assembly allows closing of door with breaker handle assembly in any position without damage to breaker and without internal mounting hardware.
- All operating shafts are stainless steel for corrosion resistance.
- Durable cast-on lugs cannot get lost.
- Backpan accommodates most popular brands of circuit breaker and motor circuit protectors and motor starters.
- Two predrilled and tapped operator holes furnished with explosionproof plugs for field installation of pilot devices.
- Two additional optional holes available.
- Aluminum hinges with stainless steel hinge pins are "lift-off" so the cover can be easily removed.
- Easily adjustable reset button allows for starter changes in the field.
- N4 gasket furnished as standard on combination starters.
- Narrow design on combination starter through size 2 allows closer spacing on switchracks while providing ample room to mount control transformer on the backpan.
- XCBSAQ and XCBSBQ provided with XBO breaker handle as standard.

Compliances:

- NEC: Class I, Groups B, C, D
Class II, Groups E, F, G
Class III
- UL Standard 1203
Hazardous (Classified) Locations
- CSA Standard C22.2 No. 30
- NEMA: 3, 3R, 4, 7BCD, 9EFG, 12

Certifications



Note: Consult Factory for approvals and certifications on specific enclosures.

Motor Control Explosionproof Motor Starters

Universal Enclosures Only (does not include breaker or starter) Class I, Groups C and D; Class II, Groups E, F & G; Class III, Type 3, 3R, 4,7CD, 9EFG, 12

8C-2

Combination full voltage non-reversing starters

| <u>Max Starter Nema Size</u> | <u>Standard Breaker Frame Size</u> | <u>Enclosure</u> |
|----------------------------------|--|------------------|
| 1 | 100 | XCBSAQ-N4 |
| 2 | 100 | XCBSBQ-N4 |
| 3 | 100 | XCBSLQ-N4 |
| 4 | 225/250 | XCBSMQ-N4 |
| 5 | 400 | XCBSN -N4 |

Combination full voltage reversing starters

| <u>Max Starter Nema Size</u> | <u>Standard Breaker Frame</u> | <u>Enclosure</u> |
|----------------------------------|-----------------------------------|------------------|
| 1 | 100 | XCMRSG-N4 |
| 2 | 100 | XCMRSK-N4 |
| 3 | 100 | XCMRSP-N4 |

For Group B applications delete suffix "N4"

Class I, Groups C and D; Class II, Groups E, F & G; Class III, Type 7CD, 9EFG Type 4

Across the line full voltage non-reversing starters

| <u>Starter Nema Size</u> | <u>Enclosure</u> |
|------------------------------|------------------|
| 1 | XMSB-N4 |
| 2 | XMSD-N4 |
| 3 & 4 | XMSH-N4 |
| 5 | XMSQ-N4 |

Across the line full voltage reversing starters

| <u>Starter Nema Size</u> | <u>Enclosure</u> |
|------------------------------|------------------|
| 1 | XMRSC -N4 |
| 2 | XMRSF -N4 |
| 3 & 4 | XMRSO -N4 |

For Group B applications delete suffix "N4"

For two-speed, Y-Delta, reduced voltage, or multiple starter packages consult factory for availability.

Motor Control Explosionproof Motor Starters

Combination Starter Enclosures (includes breaker and starter) Full voltage non-reversing

8C-3

240 Volt AC Motor Thermal Magnetic Breaker † / 120 Volt AC Coil

| Maximum HP | Nema Size | Catalog Number |
|------------|-----------|-----------------|
| 2 | 0 | XCBSAQ-N4-2015 |
| 3 | 0 | XCBSAQ-N4-2020 |
| 5 | 1 | XCBSAQ-N4-2130 |
| 7 1/2 | 1 | XCBSAQ-N4-2150 |
| 10 | 2 | XCBSBQ-N4-2270 |
| 15 | 2 | XCBSBQ-N4-22100 |
| 20 | 3 | XCBSLQ-N4-23100 |
| 30 | 3 | XCBSLQ-N4-23125 |
| 40 | 4 | XCBSMQ-N4-24175 |
| 50 | 4 | XCBSMQ-N4-24200 |
| 60 | 5 | XCBSN-N4-25225 |
| 75 | 5 | XCBSN-N4-25300 |
| 100 | 5 | XCBSN-N4-25400 |

480 Volt AC Motor Thermal Magnetic Breaker † / 120 Volt AC Coil

| Maximum HP | Nema Size | Catalog Number |
|------------|-----------|-----------------|
| 2 | 0 | XCBSAQ-N4-4015 |
| 5 | 0 | XCBSAQ-N4-4020 |
| 10 | 1 | XCBSAQ-N4-4130 |
| 25 | 2 | XCBSBQ-N4-4270 |
| 30 | 3 | XCBSLQ-N4-4370 |
| 50 | 3 | XCBSLQ-N4-43100 |
| 75 | 4 | XCBSMQ-N4-44175 |
| 100 | 4 | XCBSMQ-N4-44200 |
| 125 | 5 | XCBSN-N4-45225 |
| 150 | 5 | XCBSN-N4-45300 |
| 200 | 5 | XCBSN-N4-45400 |

600 Volt AC Motor Thermal Magnetic Breaker † / 120 Volt AC Coil

| Maximum HP | Nema Size | Catalog Number |
|------------|-----------|-----------------|
| 2 | 0 | XCBSAQ-N4-6015 |
| 5 | 0 | XCBSAQ-N4-6020 |
| 10 | 1 | XCBSAQ-N4-6130 |
| 25 | 2 | XCBSBQ-N4-6250 |
| 30 | 3 | XCBSLQ-N4-6370 |
| 50 | 3 | XCBSLQ-N4-63100 |
| 75 | 4 | XCBSMQ-N4-64125 |
| 100 | 4 | XCBSMQ-N4-64175 |
| 125 | 5 | XCBSN-N4-65200 |
| 150 | 5 | XCBSN-N4-65225 |
| 200 | 5 | XCBSN-N4-65400 |

480/600 Volt AC Motor Motor Circuit Protector † / 120 Volt AC Coil

| Maximum HP | Nema Size | Catalog Number |
|------------|-----------|------------------|
| 1 | 0 | XCBSAQ-N4-M6003 |
| 2 | 0 | XCBSAQ-N4-M6007 |
| 5 | 0 | XCBSAQ-N4-M6015 |
| 10 | 1 | XCBSAQ-N4-M6130 |
| 25 | 2 | XCBSBQ-N4-M6250 |
| 50 | 3 | XCBSLQ-N4-M63100 |
| 100 | 4 | XCBSMQ-N4-M64150 |
| 200 | 5 | XCBSN-N4-M65400 |

† Trip rating is last 2-3 digits of catalog number

For Group B applications delete "N4" from catalog number and insert "H"

Note: Overload Heaters Not Included, See Options

Motor Control Explosionproof Motor Starters

Combination Starter Enclosures (includes breaker and starter) Full voltage reversing

240 Volt AC Motor
Thermal Magnetic Breaker † / 120 Volt AC Coil

| Maximum HP | Nema Size | Catalog Number |
|------------|-----------|-----------------|
| 2 | 0 | XCMRSG-N4-2015 |
| 3 | 0 | XCMRSG-N4-2020 |
| 5 | 1 | XCMRSG-N4-2130 |
| 7 1/2 | 1 | XCMRSG-N4-2150 |
| 10 | 2 | XCMRSK-N4-2270 |
| 15 | 2 | XCMRSK-N4-22100 |
| 20 | 3 | XCMRSP-N4-23100 |
| 30 | 3 | XCMRSP-N4-23125 |

480 Volt AC Motor
Thermal Magnetic Breaker † / 120 Volt AC Coil

| Maximum HP | Nema Size | Catalog Number |
|------------|-----------|-----------------|
| 2 | 0 | XCMRSG-N4-4015 |
| 5 | 0 | XCMRSG-N4-4020 |
| 10 | 1 | XCMRSG-N4-4130 |
| 25 | 2 | XCMRSK-N4-4270 |
| 40 | 3 | XCMRSP-N4-43100 |
| 50 | 3 | XCMRSP-N4-43125 |

600 Volt AC Motor
Thermal Magnetic Breaker † / 120 Volt AC Coil

| Maximum HP | Nema Size | Catalog Number |
|------------|-----------|-----------------|
| 2 | 0 | XCMRSG-N4-6015 |
| 5 | 0 | XCMRSG-N4-6020 |
| 10 | 1 | XCMRSG-N4-6130 |
| 25 | 2 | XCMRSK-N4-6250 |
| 50 | 3 | XCMRSP-N4-63100 |

480/600 Volt AC Motor
Motor Circuit Protector † / 120 Volt AC Coil

| Maximum HP | Nema Size | Catalog Number |
|------------|-----------|------------------|
| 1 | 0 | XCMRSG-N4-M6003 |
| 2 | 0 | XCMRSG-N4-M6007 |
| 5 | 0 | XCMRSG-N4-M6015 |
| 10 | 1 | XCMRSG-N4-M6130 |
| 25 | 2 | XCMRSK-N4-M6250 |
| 50 | 3 | XCMRSP-N4-M63100 |
| 100 | 4 | XCMRSP-N4-M64150 |

† Trip rating is last 2-3 digits of catalog number
For Group B applications delete "N4" from catalog number
Note: Overload Heaters Not Included, See Options

Magnetic Full Voltage Starter Enclosures (includes starter)

Full voltage non-reversing starters
120 Volt AC Coil

| Maximum HP @ | | | Nema Size | Catalog Number |
|--------------|------|------|-----------|----------------|
| 240V | 480V | 600V | | |
| 3 | 5 | 5 | 0 | XMSB-60 |
| 7 1/2 | 10 | 10 | 1 | XMSB-61 |
| 15 | 25 | 25 | 2 | XMSD-62 |
| 30 | 50 | 50 | 3 | XMSH-63 |
| 50 | 100 | 100 | 4 | XMSH-64 |
| 100 | 200 | 200 | 5 | XMSQ-65 |

Full voltage reversing starters
120 Volt AC Coil

| Maximum HP @ | | | Nema Size | Catalog Number |
|--------------|------|------|-----------|----------------|
| 240V | 480V | 600V | | |
| 3 | 5 | 5 | 0 | XMRSC-60 |
| 7 1/2 | 10 | 10 | 1 | XMRSC-61 |
| 15 | 25 | 25 | 2 | XMRSF-62 |
| 30 | 50 | 50 | 3 | XMRSO-63 |
| 50 | 100 | 100 | 4 | XMRSO-64 |

For Nema 4 applications insert "N4" before number 6
Note: Overload Heaters Not Included, See Options

Motor Control Explosionproof Motor Starters

Options, Dimensions and Ordering Instructions

8C-5

| Description | Suffix | Combination Starter | Available On Non-Combination Starter | Universal Enclosure Only |
|--|---------|---------------------|--------------------------------------|--------------------------|
| Start/Stop Dual Pushbutton (1NO Start, 1NC Stop) | A | • | • | • |
| Green Start Pushbutton (1NO) | A1 | • | • | • |
| Red Stop Pushbutton (1NC) | A2 | • | • | • |
| Red Stop Pushbutton, Mushroom Head (1NC) | A3 | • | • | • |
| Black Pushbutton (1NO, 1NC) | A4 | • | • | • |
| Auxiliary Switch on Breaker (1A and 1B Contacts) | AS1 | • | | |
| Auxiliary Switch on Breaker (2A and 2B Contacts) | AS2 | • | | |
| Hand-Off-Auto Selector Switch | B | • | • | • |
| Selector Switch (2-Position) (1NO, 1NC) | B1 | • | • | • |
| Bell Alarm Switch on Breaker (Specify No. of Contacts) | BA | • | | |
| Pilot Light 120 Volt AC (*See Color Table) | C1* | • | • | • |
| Pilot Light with Guard 120 Volt AC (*See Color Table) | CG1* | • | • | • |
| Push-to-Test Light 120 Volt AC (1NO, 1NC) (*See Color Table) | CP1*† | • | • | • |
| Breather/Drain Installed in Bottom | E\$ | • | • | • |
| Breather and Drain Installed | EE\$ | • | • | • |
| Auxiliary Contacts on Starter (+NO, -NC) (Specify No. of Contacts) | G (+ -) | • | • | |
| Time Delay Relay-On Delay (Specify Range) | H1 | • | • | |
| Time Delay Relay-Off Delay (Specify Range) | H2 | • | • | |
| 8-Point Terminal Strip | K | • | • | |
| Epoxy Coating External Only (Specify Color) | L1 | • | • | • |
| Epoxy Coating External and Internal (Specify Color) | L2 | • | • | • |
| Lamacoid Nameplate (Specify Legend) | NP | • | • | • |
| Overload Heaters (Specify Full Load Amps) | OL | • | • | |
| Control Relay (Description Required) | R | • | • | |
| Space Heater (Specify Wattage) | S | • | • | |
| Shunt Trip on Breaker (Specify Voltage) | ST | • | | |
| 50 VA Control Transformer 480V Pri, 120V Sec. W/Fuse Block†† | T1F | • | • | |
| 100 VA Control Transformer 480V Pri, 120V Sec. W/Fuse Block†† | T2F | • | • | |
| 150 VA Control Transformer 480V Pri, 120V Sec. W/Fuse Block†† | T3F | • | • | |
| 200 VA Control Transformer 480V Pri, 120V Sec. W/Fuse Block†† | T4F | • | • | |
| 250 VA Control Transformer 480V Pri, 120V Sec. W/Fuse Block†† | T5F | • | • | |
| 300 VA Control Transformer 480V Pri, 120V Sec. W/Fuse Block†† | T6F | • | • | |
| Other Control Transformer (Specify VA, Pri. And Sec.) | T7 | • | • | |
| Undervoltage Release on Breaker (Specify Voltage Rating) | UV | • | | |
| Internal Control Wiring | W | • | • | |
| Other (Specify) | Z | • | • | • |

*Color Table

R-Red

G-Green

A-Amber

B-Blue

C-Clear

W-White

† Not available in Group B applications

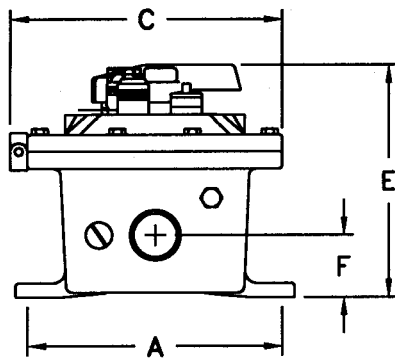
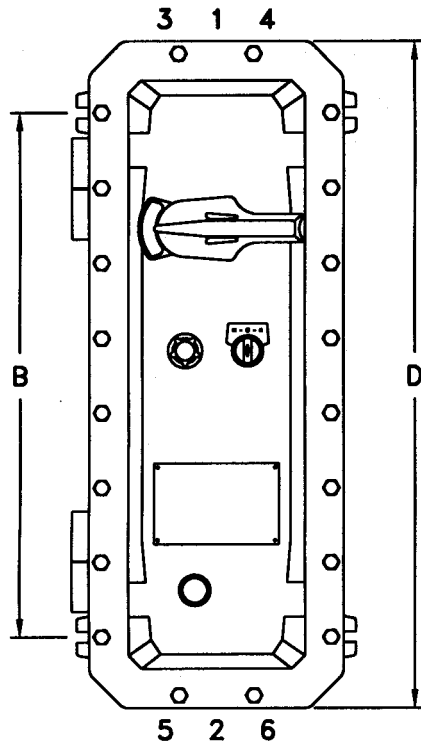
†† Fuses Included

\$ for Group B applications add H to the suffix

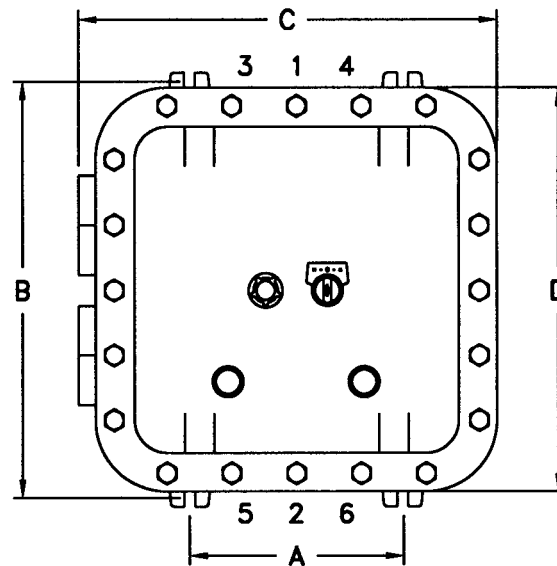
Motor Control Explosionproof Motor Starters

DIMENSIONS

| Enclosure | Nom. Inside Dim. | Nominal Dimensions In Inches | | | | | | | Est. Ship. Wt. | Cond. Size |
|---------------|------------------|------------------------------|--------|----------|----------|----------|---------|-------|----------------|------------|
| | | A | B | C | D | E | F | G | | |
| \$ *XCBSAQ-N4 | 062305 | 4 1/8 | 25 1/2 | 11 1/8 | 26 15/16 | 9 11/16 | 2 1/2 | 3 & 5 | 61 | 1 1/2 |
| \$ *XCBSBQ-N4 | 072706 | 4 3/4 | 29 7/8 | 11 13/16 | 31 1/8 | 10 1/2 | 2 13/16 | 3 & 5 | 87 | 1 1/2 |
| XCBSLQ-N4 | 122408 | 15 3/4 | 18 3/8 | 16 15/16 | 28 1/4 | 12 15/16 | 3 | 3 & 5 | 160 | 2 |
| XCBSMQ-N4 | 123608 | 15 3/4 | 29 | 16 15/16 | 40 1/4 | 13 3/8 | 3 5/8 | 3 & 5 | 260 | 2 1/2 |
| XCBSN-N4 | 164610 | 19 3/4 | 39 | 21 3/4 | 50 7/8 | 16 7/16 | 4 7/8 | 3 & 5 | 420 | 4 |
| XCMRSG-N4 | 121808 | 15 3/4 | 14 1/8 | 17 | 22 1/4 | 12 5/8 | 2 13/16 | 3 & 6 | 100 | 1 1/4 |
| XCMRSK-N4 | 122406 | 15 3/4 | 18 3/8 | 17 | 28 1/4 | 10 15/16 | 3 5/16 | 3 & 5 | 130 | 2 |
| XCMRSP-N4 | 183608 | 21 3/4 | 29 | 23 3/4 | 40 7/8 | 14 3/4 | 4 1/8 | 3 & 5 | 395 | 2 |
| †XMSB | 081006 | 10 3/4 | 6 1/2 | 12 | 13 3/8 | 8 1/4 | 2 3/8 | 3 & 6 | 36 | 1 |
| †XMSD | 101406 | 13 | 10 5/8 | 14 | 17 3/8 | 8 3/8 | 2 3/4 | 3 & 6 | 55 | 1 1/2 |
| †XMSH | 121808 | 15 3/4 | 14 1/8 | 17 | 22 1/4 | 10 3/4 | 3 1/2 | 3 & 6 | 105 | 2 1/2 |
| †XMSQ | 183610 | 21 3/4 | 29 | 23 3/4 | 40 7/8 | 14 7/8 | 4 5/16 | 3 & 6 | 380 | 3 |
| \$ † XMRSC | 101406 | 10 5/8 | 13 | 18 | 13 3/8 | 8 3/8 | 2 1/4 | 3 & 5 | 55 | 1 |
| \$ † XMRSF | 121206 | 8 5/8 | 15 3/4 | 17 | 16 1/4 | 8 15/16 | 3 | 3 & 6 | 85 | 1 1/2 |
| \$ † XMRSO | 181808 | 13 | 21 3/4 | 23 3/4 | 22 7/16 | 12 7/16 | 3 7/8 | 3 & 6 | 190 | 2 1/2 |



VIEW A



VIEW B

Standard conduit openings at locations 1 and 2, control circuit opening 3/4" NPT at locations shown in column "G". Each housing has one 1/2" NPT top & bottom for breather and drain.

- * Mounting feet on top and bottom.
- † No breaker handle furnished.
- \$ Use view "B" for mounting dimensions.

8C-6