

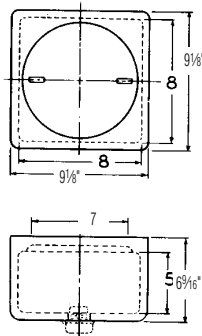
# Junction Boxes Explosionproof

## JUNCTION BOXES THREADED FLAT COVER STYLE EXPLOSIONPROOF AND DUST-TIGHT CLASS I, GROUP D; CLASS II, GROUPS E, F & G; NEMA 3, 7 & 9, Raintight Junction Boxes for Service Station Islands



XSO 885 is a larger cast aluminum raintight explosionproof box having inside dimensions of 8" x 8" x 5" deep. Standard blank, drilled and tapped to specification. Any of the XVS "sealing" hubs can be installed in the back.

Catalog Number	Nominal Inside Dimensions (In.)	Shipping Weight Lbs.
XSO 885	8 x 8 x 5 deep	20



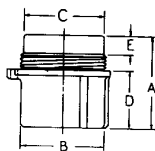
### XVS VERTICAL SEALING HUBS

Vertical sealing hubs save space and are accessible from the inside of the box for packing and sealing. Size, number and location of seals must be specified in the order. They must be factory installed and must be added to the price of the box. Catalog number and price include installation in the box. The male thread is not a standard pipe thread.



UL & CSA approval of XSO 884 & XSO 885 is maintained with use of XVS hub.

Catalog Number	Conduit Size	Dimensions (Inches)				
		A	B	C	D	E
XVS4	1"	2-1/16	1-3/4	1-5/8	7/8	11/16
XVS5	1-1/4"	2-1/2	2-1/8	2	1-1/4	11/16
XVS6	1-1/2"	2-3/4	2-3/8	2-1/4	1-9/16	11/16
XVS8	2"	3-3/16	2-7/8	2-3/4	2	11/16

**NOTE:** Sealing hubs for use only with Adalet XSC sealing compound.

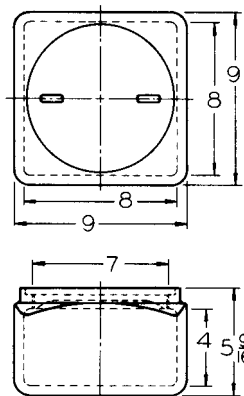
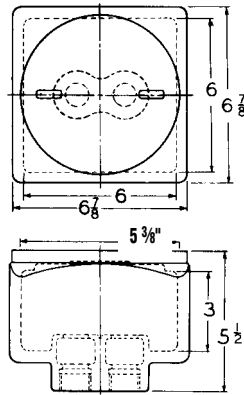


SE-1

 CSA Certified LR27991  
 UL Listed E10493

# Junction Boxes Explosionproof

## JUNCTION BOXES THREADED FLAT COVER STYLE EXPLOSIONPROOF AND DUST-TIGHT CLASS I, GROUP D; CLASS II, GROUPS E, F & G; NEMA 3, 7 & 9, Raintight Junction Boxes for Service Station Islands



These three sizes of flush mounting service station island junction boxes should answer all requirements for station island loads. The side walls are cast blank and are drilled and tapped to requirements. The wall sections are heavy enough for 2" conduit. They are all made raintight by Buna-N O-ring seals, having excellent resistance to petroleum oils and aromatic hydrocarbons.

XSO 663B, box, having inside dimensions of 6" x 6" x 3" deep has 2-1" "sealing" hubs cast integrally in the back of the box, one plugged. The side walls are drilled and tapped to specification.

XSO 663S is the same box as XSO 663B but is a stock box drilled and tapped for three 3/4" conduits on each of two opposite sides, also has the 2-1" sealing conduit hubs, one plugged.

XSO 884, a larger 8" x 8" x 4" deep cast aluminum raintight explosionproof box is completely flexible in that any size and number of sealing hubs, type XVS shown on page 5E-1, can be installed in the back, and conduit holes can be drilled and tapped in any or all side walls from 1/2" through 2". Stocked blank, drilled and tapped to layout.

XSO 884S is the same box as XSO 884 but is stocked, drilled and tapped, to handle most island requirements, consisting of one 1-1/4" "sealing conduit hub" in the back, and with three 3/4" drilled and tapped conduit holes on each of two opposite sides.

Catalog Number	Nominal Inside Dimension (In.)	Number & Size of Conduit			Shipping Wt. Lbs.
		Each Side	Top	Bottom	
XSO 663S	6 x 6 x 3 deep	None	3-3/4"	3-3/4"	8
XSO 663B	6 x 6 x 3 deep	D & T to specifications thru 2"			8-1/4
XSO 884	8 x 8 x 4 deep	D & T to specifications thru 2"			18
XSO 884S	8 x 8 x 4 deep	None	3-3/4"	3-3/4"	18

**NOTE:** Sealing hubs for use only with Adalet XSC sealing compound.

CSA Certified LR27991  
 UL Listed E10493

5E-2

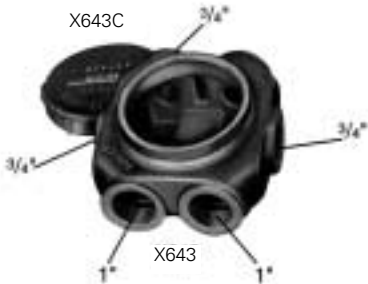
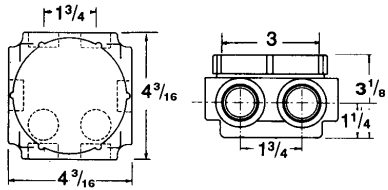
# Explosionproof and Dust-Tight Fittings and Accessories

## EXPLOSIONPROOF AND DUST-TIGHT JUNCTION BOXES CLASS I, GROUP D; CLASS II, GROUPS E, F, & G; NEMA 7 & NEMA 9 MULTI-HUB GENERAL PURPOSE BOXES

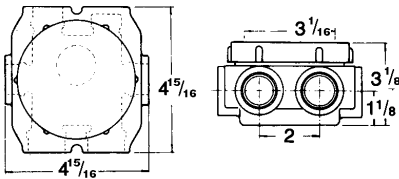
X82C/X83C



X82/X83



X643



Designed for general wiring in hazardous locations. For pulling and splicing conductors. X82 box has six 1/2" conduit entrances in the sides and two 3/4" conduit entrances in the back. X83 box has six 3/4" conduit entrances in the sides and two 3/4" conduit entrances in back. Boxes are furnished with close-up plugs as shown in chart.

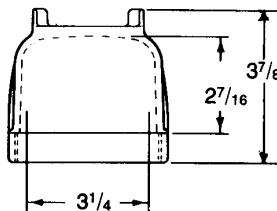
Catalog Number	Conduit Size	Left/Right Sides	Number of Hubs			Std. Package	
			Top	Bottom	Back	Qty	Wt. Lbs.
X82*	1/2" And 3/4"	One 1/2" Plugged	Two 1/2" Open	Two 1/2" One Plugged	Two 3/4" Both Plugged	10	19
X83*	3/4"	One 3/4" Plugged	Two 3/4" Open	Two 3/4" One Plugged	Two 3/4" Both Plugged	10	19
X643*	3/4" And 1"	One 3/4" Open	One 3/4" Open, One Boss Undrilled	Two 1" Open	One Boss Undrilled	10	24

### COVERS ONLY (CONSULT FACTORY FOR APPROVALS)

Catalog Number		Standard Package	
		Quantity	Weight Lbs.
X82C	Blank	10	4
X83C	Blank	10	4
X643C	Blank	10	4
XDC	Dome	1	1
X8230	O-Ring for NEMA 4 watertight		

To order box with Dome Cover add XDC as suffix to catalog number required.

XDC



- \* CSA Certified LR27991
- \* UL Listed E10493

### Compliance

NEC Class I, Group D Class II, Groups E, F, G - Class III  
UL Standard 886 - CSA Standard C22.2 No. 30

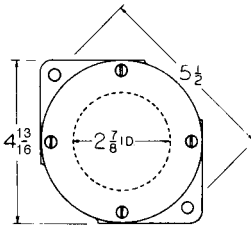
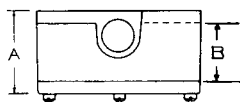
SE-3

# Explosionproof and Dust-Tight Fittings and Accessories

## EXPLOSIONPROOF AND DUST-TIGHT JUNCTION BOXES CLASS I, GROUP D; CLASS II, GROUPS E, F, & G; NEMA 7 & NEMA 9 MULTI-HUB GENERAL PURPOSE BOXES

Designed for general wiring in hazardous locations. For pulling and splicing conductors, also serves as fixture mounting outlets with appropriate cover.

Boxes have 4 conduit entrances and are furnished with 2 close-up plugs.

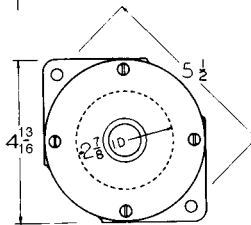
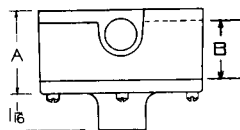


Catalog Number	Conduit Size (In.)		Standard Pkg. Quantity	Standard Pkg. Weight Lbs.
XJBCC2*	1/2	Blank	10	26
XJBCC3*	3/4	Cover	10	26
XJFCC2	1/2	1/2" Stem	10	26
XJFCC3	3/4	Cover	10	26
XJFC3C2	1/2	3/4" Stem	10	26
XJFC3C3	3/4	Cover	10	26
<b>COVERS ONLY</b>				
XJBC	Blank		10	4
XJFC2	1/2" Stem		10	4
XJFC3	3/4" Stem		10	4



Nominal Dimensions (Inch)		
Conduit Size	XJBC & XJFC	
	A	B
1/2	2-1/2	1-13/16
3/4	2-1/2	1-13/16

Mounting hole size 5/16"



\* CSA Certified LR27991

\* UL Listed E10493

### Compliance

NEC Class I, Group D Class II, Groups E, F, G - Class III  
UL Standard 886 - CSA Standard C22.2 No. 30

5E-4

## Explosionproof and Dust-Tight Fittings and Accessories

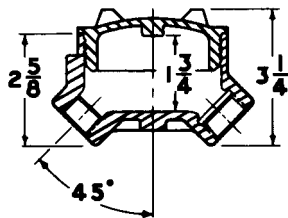
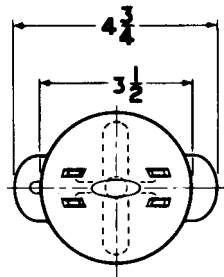
### EXPLOSIONPROOF AND DUST-TIGHT JUNCTION BOXES CLASS I, GROUP C AND D; CLASS II, GROUPS E, F, & G; NEMA 7 & NEMA 9 THERMOCOUPLE HEAD BOX



XJAY

XJAY Junction Box for thermocouple sensing heads. Body has 1/2" NPT entrance for probe unit and one 3/4" NPT conduit entrance with conduit stop. The body has an exterior pad 5/8" wide across the back between the conduit hubs. The interior of the box can be blind tapped into the back pad with screw spacing up to 2-3/4" for mounting terminal strips or connection blocks. The outside boss on the 1/2" hub and the interior boss on the cover can be blind tapped for screws for use with a retaining chain at additional cost. Consult factory.

Catalog Number	Conduit Size	Standard Pkg. Quantity	Standard Pkg. Weight Lbs.
XJAY	1/2"-3/4" (1) EA.	10	10
XJAO	O-Ring for NEMA 4 watertight		
XJAYRC	Cover retaining chain		



5E-5

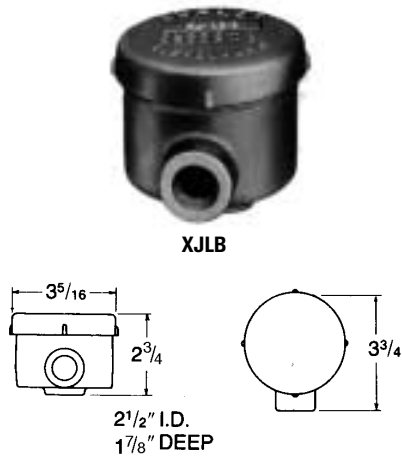
#### Compliance

NEC Class I, Groups C, D  
Class II, Groups E, F, G - Class III  
UL Standard 886 - CSA Standard  
C22.2 No. 30

# Explosionproof and Dust-Tight Fittings and Accessories

## EXPLOSIONPROOF AND DUST-TIGHT JUNCTION BOXES CLASS I, GROUP D; CLASS II, GROUPS E, F, & G; NEMA 7 & NEMA 9 MULTI-HUB GENERAL PURPOSE BOXES

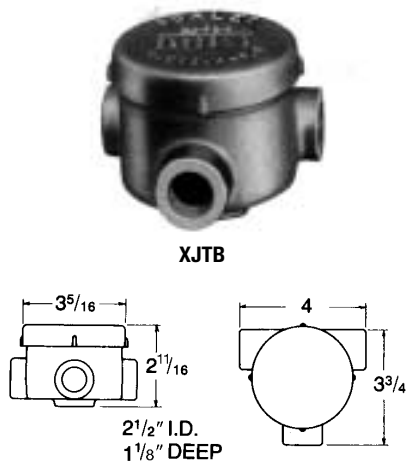
Designed for general wiring in hazardous locations.  
For pulling and splicing conductors.



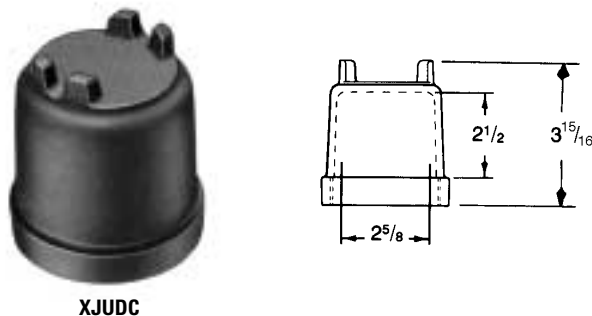
**XJLB**

Catalog Number	Conduit Size	Number of Hubs				Std. Package	
		Each Side	Top	Bottom	Back	Qty	Wt. Lbs.
XJLB2*	1/2"	None	None	1-1/2"	1-1/2"	10	10
XJLB3	3/4"	None	None	1-3/4"	1-3/4"	10	10
XJTB2*	1/2"	1 - 1/2"	None	1-1/2"	1-1/2"	10	9
<b>COVERS ONLY (CONSULT FACTORY FOR APPROVALS)</b>							
XJU23	Blank Cover				10	3	
XJUDC	Dome Cover				10	8	

To order box with Dome Cover add XJUDC as suffix to catalog number required.



**XJTB**



**XJUDC**

\* CSA Certified LR27991  
\* UL Listed E10493

5E-6

# Explosionproof and Dust-Tight Fittings and Accessories

## EXPLOSIONPROOF AND DUST-TIGHT JUNCTION BOXES CLASS I, GROUP D; CLASS II, GROUPS E, F, & G; NEMA 7 & NEMA 9 MULTI-HUB GENERAL PURPOSE BOXES

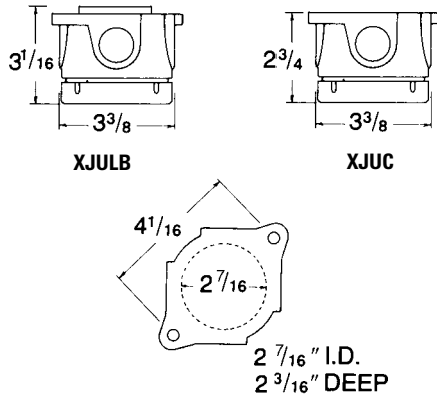


Designed for general wiring in hazardous locations. For pulling and splicing conductors, these boxes also serve as fixture mounting outlets with appropriate cover.

Boxes have 4 conduit entrances and furnished with 2 close-up plugs.

XJULB has 5 conduit entrances and furnished with 3 plugs.

Box Mounting hole size 5/16".



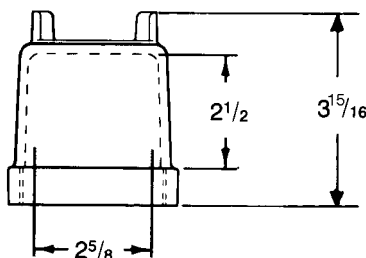
Nominal Dimensions (Inch)				
Catalog Number	Conduit Size	Cover Style	Standard Pkg. Quantity	Standard Pkg. Weight Lbs.
XJUC2*	1/2	Blank	10	11-1/2
XJUC3*	3/4	Blank	10	11-1/2
XJULB2	1/2	Blank	10	11-1/2
XJULB3	3/4	Blank	10	11-1/2
<b>COVERS ONLY (CONSULT FACTORY FOR APPROVAL)</b>				
XJU23	Blank Cover		10	3
XJU23	Dome Cover		10	8

To order box with Dome Cover add XJU23 as suffix to catalog number required.

\* CSA Certified LR27991

\* UL Listed E10493

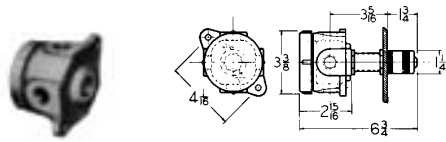
XJU23



SE-7

# Explosionproof and Dust-Tight Fittings and Accessories

## EXPLOSIONPROOF AND DUST-TIGHT CONTROL STATIONS FOR PANEL MOUNTING CLASS I, GROUPS C & D; CLASS II, GROUPS E, F, & G; NEMA 7 & NEMA 9



**XA**

Maximum panel thickness 1 5/8"

This group of station boxes and devices is designed for mounting on panel boards so that pilot lights, pushbuttons and switch handles are flush with panel fronts and the bodies or housings are in back of the panel. Threaded necks are provided with locknuts to clamp fittings in place on panels. The parts extending beyond the face of the panel have a black anodized finish.

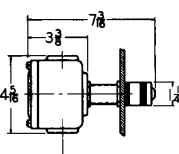


**XB1**

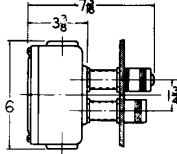


**XB2**

Station boxes are available in two styles. Economical style XA single station is suitable for 600 volt maximum use. XA bodies have threaded covers and are provided with 4 tapped hubs and 3 plugs. Style XB is suitable for combinations of pilot lights, pushbuttons and selector pilot light transformers. XB bodies have flat machined joint covers fastened with machine screws. Covers give maximum accessibility to interiors.



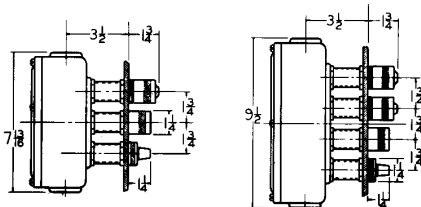
**XB3**



**XB4**

Catalog Number	Description	Outside Dim.			Weight Ea. Pounds
		W	L	D	
XA 2	1 station with four 1/2" tapped openings, three plugs	3 3/8 O.D.	-	2 5/16	1
XA 3	1 station with four 3/4" tapped openings, three plugs	3 3/8 O.D.	-	2 5/16	1
XB 1	1 station box - specify hubs	3 1/2	4 7/16	3 7/16	1 3/4
XB 2	2 station box - specify hubs	3 1/2	6 3/8	3 7/16	2
XB 3	3 station box - specify hubs	3 1/2	8 1/16	3 7/16	2 3/4
XB 4	4 station box - specify hubs	3 1/2	9 5/8	3 7/16	3 1/4

**Compliances: NEC Class I, Groups C & D (XA Series - Group D)  
Class II, Groups E, F, G**



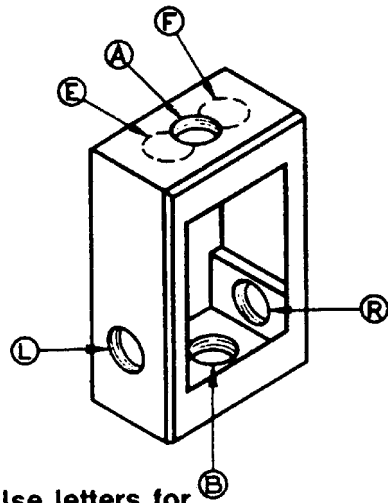
All station boxes are drilled and tapped with 3/4" NPSM thread for operator, or pilot lights. Unused openings must be plugged with XPP plugs. XB style boxes are suitably padded for two conduit openings on one end and one on opposite end. 1" maximum conduit size. Box price includes one or two conduit openings; specify size, location and number of holes. Holes in panels should be 1-1/8" diameter with 1-3/4" centers for XB box.



5E-8

## Fittings and Accessories

### FSO & FDO OUTLET BOXES DRILLED & TAPPED TO ORDER Cast aluminum alloy (copper content 0.3% max)



Use letters for  
hole positioning on sketch.

FSO can be tapped with 1" conduit maximum and FDO can be tapped with 1-1/2" conduit maximum. Two 3/4" maximum conduit holes in top and one hole in bottom.

**NOTE:** Box can be rotated 180° to meet your needs.

Catalog Number	Outside Nominal Dimension			Description	Standard Package	Standard Pkg. Weight Lbs.
	W	L	D			
FSO	3	4-3/4	1-3/4	Box, shallow type	20	20
FDO	3	4-3/4	2-3/4	Box, deep type	20	31
WSO	3	4-3/4	—	Cover, weatherproof	10	2
WSG				(Furnished with screws & gasket) Gasket, Neocork 1/2" conduit		
FS21	3-1/16	5-1/2	1-3/4	Box, shallow type, hub	20	15
FSH2				1/2" Female to 3/4" Male	50	4
FSH3				3/4" Female to 3/4" Male	50	3
FSP2				1/2" Conduit plug	100	2
FSP3				3/4" Conduit plug	100	3

SE-9