

XHFA Explosionproof Fire Alarm Stations

CLASS I, GROUPS B*, C, & D; CLASS II, GROUPS E, F & G, NEMA 4, 7 & 9



Fire alarm call stations, for installation in hazardous atmosphere locations where emergency control of fire alarm or signal circuits is required.

Station is painted red for easy identification. Housing and break glass hammer are cast aluminum alloy. Exposed operator parts are red anodized aluminum.

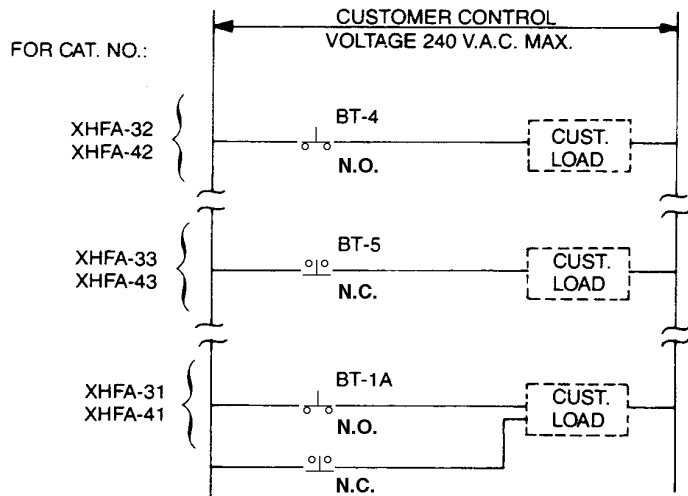
A yellow adhesive backed label "Caution-Stand Clear of Area in Front of Glass to Protect Eyes from Flying Glass", furnished for application above the alarm station.

Complete Assembly	
Catalog Number with 3/4" NPT conduit opening top and bottom	Catalog Number with 1" NPT conduit opening top and bottom
XHFA 31-N4	XHFA 41-N4
XHFA 32-N4	XHFA 42-N4
XHFA 33-N4	XHFA 43-N4
Replacement glass: Catalog number XHFG	

* Add GB suffix to part number for group B.
Example: XHFA 31-GB-N4.

Important Notice:

Contacts are shown as held in their actuated position.



Note: Contact blocks furnished as standard.

Compliances:

NEC Class I, Group B*, C and D
Class II, Groups E, F & G
UL Standard 886 • UL Standard 689
UL Standard UL38 manually actuated signaling boxes for use with Fire Protective Signaling Systems.
Aluminum Alloy Copper Content 0.3% max.

Maximum current ratings for control circuit contacts			
Volts	Make Amperes	Break Amperes	Continuous Carrying
120	60	6	10
240	30	3	10

5C-1