

Water, oil & dust tight stainless steel enclosures

Quick Features :

- Poured gasket
- ¼ turn lock
- Drip shield
- Superior hinging
- 180° door opening
- Seamless welding
- Panel is included
- Panel is double bent
- Stainless steel

The 5412 ESS water, oil & dust tight enclosures are used indoors or outdoors in areas where a corrosion problem exists or where the enclosures may be subject to hosing or to water coming from any direction or for protection against dust, dirt or oil splashing. The 5412 ESS are made from quality 14 GA or 16 GA (Type 304) stainless steel, with corner seems continuously welded. The opening has a curled lip around all sides to prevent dripping water

from entering the enclosure when the door is open, it also increases rigidity. A high quality robotically poured-in-place seamless gasket ensures a complete and durable water tight seal. The pins of the concealed hinges can be pulled out to remove the door. A ¼ turn locking mechanism (or 3 point latch system on larger enclosures) insures positive closing. Internal mounting holes are provided. Body stiffeners are provided on larger models. Each enclosure

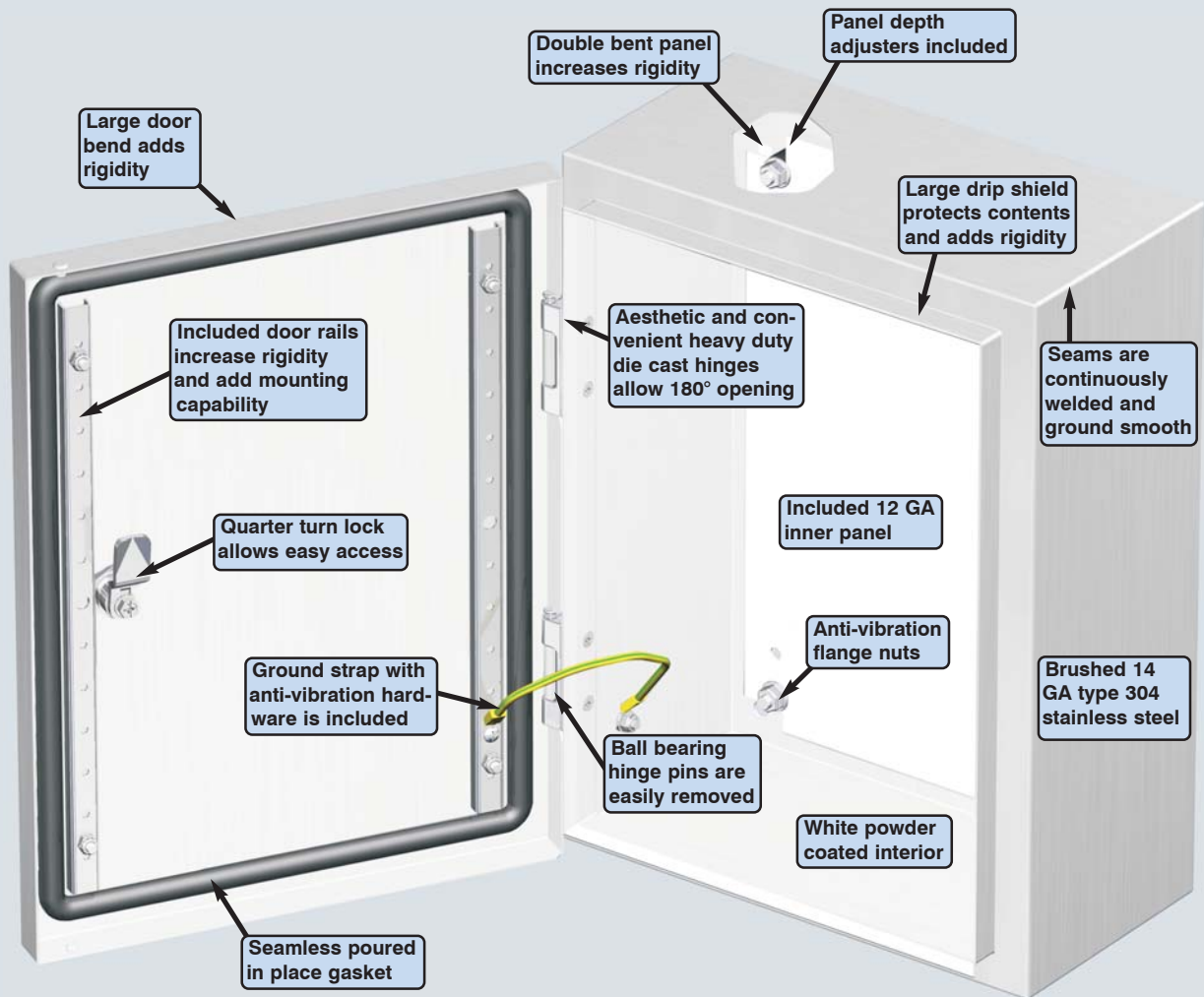
comes **complete with a 12 GA inner panel** which is double bent* for maximum rigidity and which mounts on M8 welded studs. The enclosures' exterior are unpainted and brushed smooth. The enclosures' interior and panels are finished with white heat fused polyester powder, electrostatically applied on a phosphatized base.

**CSA Certified / UL Listed
NEMA 4X / IP66**



Visit www.eurobex.com for details.

Call us toll free 1-800-363-2423

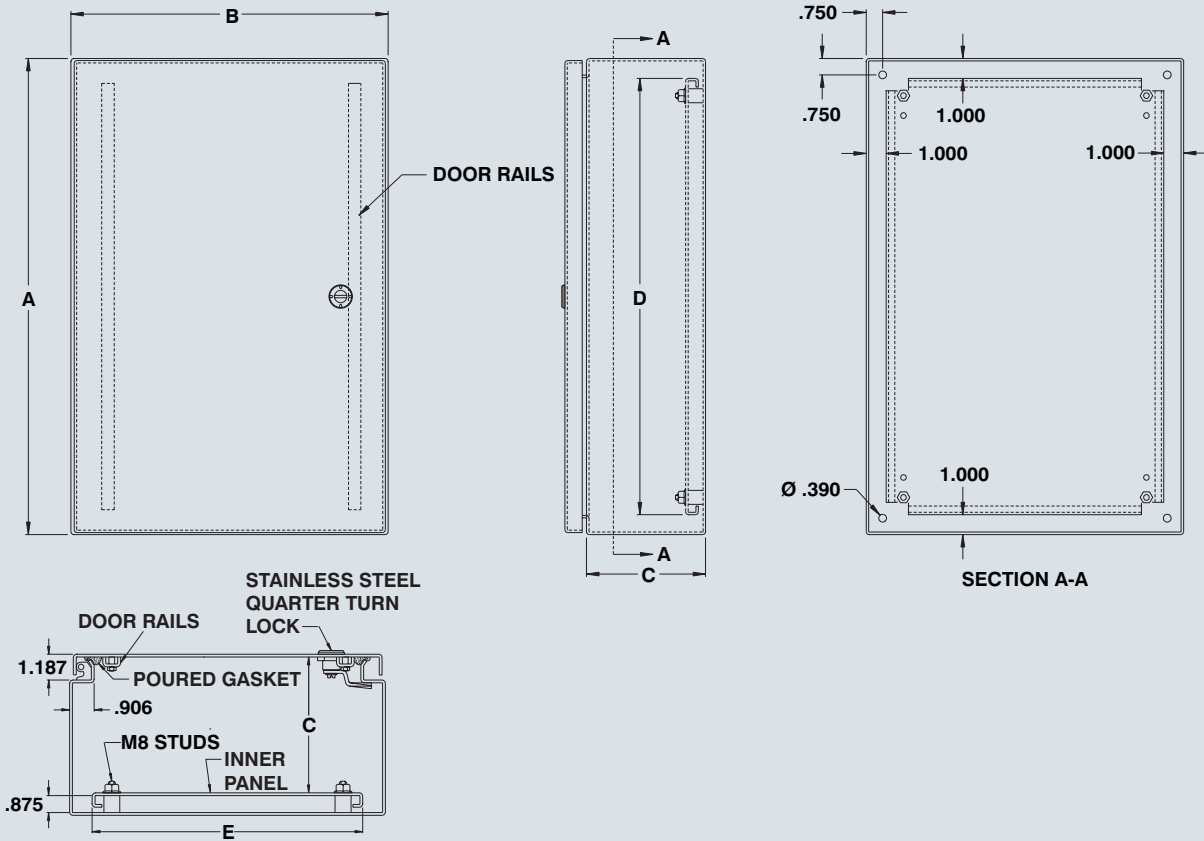


**The 5412 ESS -
98 stock sizes available**

Data subject to change without notice.

Suggested Accessories





CATALOG NUMBER	DIMENSIONS					SHIP WGHT LBS.
	A	B	C	D	E	
5412 ESS121206	12	12	6	10	10	19
5412 ESS122406	12	24	6	10	22	35
5412 ESS161206	16	12	6	14	10	24
5412 ESS161606	16	16	6	14	14	31
5412 ESS162006	16	20	6	14	18	37
5412 ESS122408	12	24	8	10	22	38
5412 ESS161208	16	12	8	14	10	17
5412 ESS161608	16	16	8	14	14	34
5412 ESS162008	16	20	8	14	18	41
5412 ESS161210	16	12	10	14	10	30

† Add suffix '6' to the catalog number for 316 stainless steel.
ex. 5412 ESS1212066

* Only panels with sides 20" or more are double bent.



Data subject to change without notice.



p.364

p.366

p.365

p.360

p.367

p.376

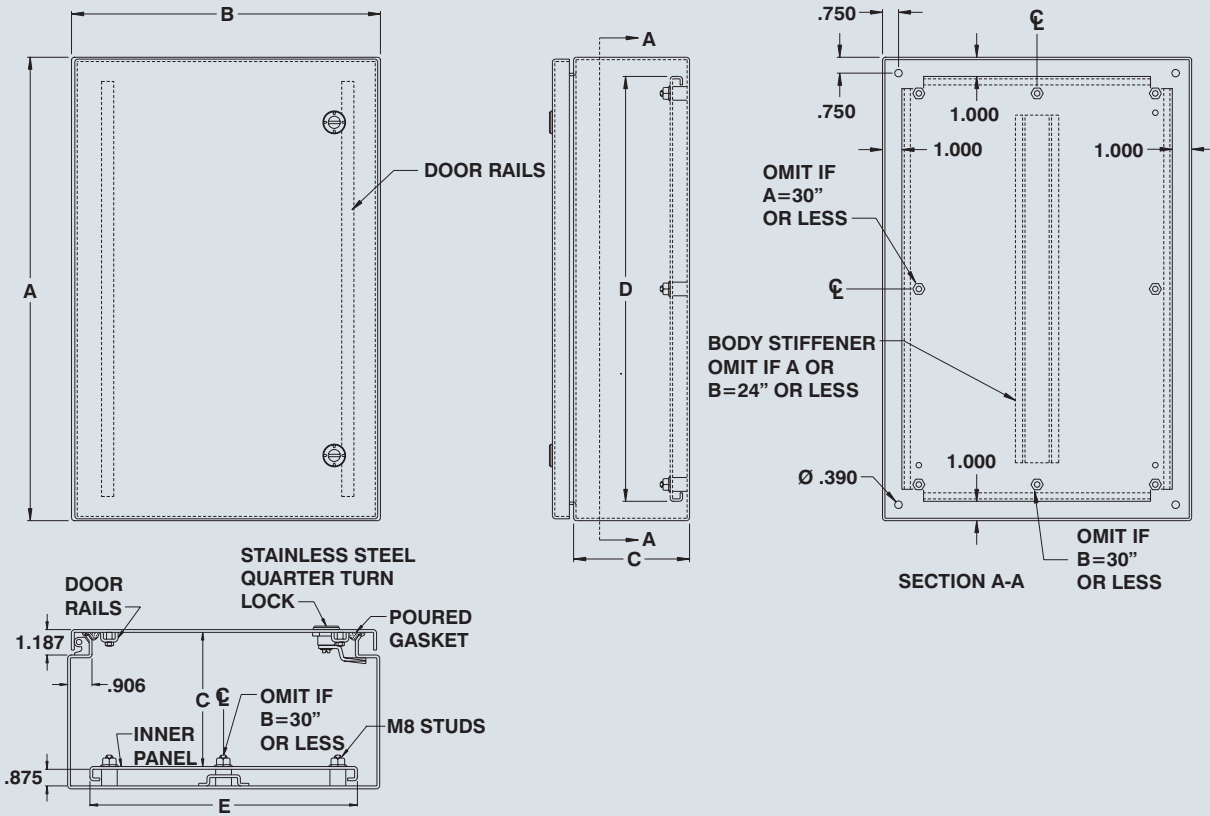
p.378

p.391

p.368

Quick Features :

- Poured gasket
- ¼ turn lock
- Drip shield
- Superior hinging
- 180° door opening
- Seamless welding
- Panel is included
- Panel is double bent
- Stainless steel



Visit www.eurobex.com for details.

Call us toll free 1-800-363-2423

CATALOG NUMBER	DIMENSIONS					SHIP WGT LBS.	CATALOG NUMBER	DIMENSIONS					SHIP WGT LBS.
	A	B	C	D	E			A	B	C	D	E	
5412 ESS201206	20	12	6	18	10	29	5412 ESS363008	36	30	8	34	28	116
5412 ESS201606	20	16	6	18	14	37	5412 ESS363608	36	36	8	34	34	136
5412 ESS202006	20	20	6	18	18	45	5412 ESS201610	20	16	10	18	14	44
5412 ESS202406	20	24	6	18	22	53	5412 ESS202010	20	20	10	18	18	53
5412 ESS241206	24	12	6	22	10	35	5412 ESS241210	24	12	10	22	10	42
5412 ESS241606	24	16	6	22	14	44	5412 ESS242010	24	20	10	22	18	62
5412 ESS242006	24	20	6	22	18	53	5412 ESS242410	24	24	10	22	22	71
5412 ESS242406	24	24	6	22	22	62	5412 ESS302010	30	20	10	28	18	74
5412 ESS301606	30	16	6	28	14	53	5412 ESS302410	30	24	10	28	22	86
5412 ESS302006	30	20	6	28	18	65	5412 ESS362410	36	24	10	34	22	101
5412 ESS302406	30	24	6	28	22	76	5412 ESS363010	36	30	10	34	28	122
5412 ESS362406	36	24	6	34	22	90	5412 ESS201612	20	16	12	18	14	48
5412 ESS363006	36	30	6	34	28	109	5412 ESS202012	20	20	12	18	18	57
5412 ESS201208	20	12	8	18	10	33	5412 ESS202412	20	24	12	18	22	66
5412 ESS201608	20	16	8	18	14	41	5412 ESS242012	24	20	12	22	18	66
5412 ESS202008	20	20	8	18	18	49	5412 ESS242412	24	24	12	22	22	76
5412 ESS202408	20	24	8	18	22	57	5412 ESS302412	30	24	12	28	22	92
5412 ESS241208	24	12	8	22	10	38	5412 ESS303012	30	30	12	28	28	110
5412 ESS241608	24	16	8	22	14	48	5412 ESS362412	36	24	12	34	22	107
5412 ESS242008	24	20	8	22	18	57	5412 ESS363012	36	30	12	34	28	129
5412 ESS242408	24	24	8	22	22	67	5412 ESS363612	36	36	12	34	34	150
5412 ESS243008	24	30	8	22	28	81	5412 ESS242016	24	20	16	22	18	74
5412 ESS301208	30	12	8	28	10	46	5412 ESS242416	24	24	16	22	22	96
5412 ESS301608	30	16	8	28	14	58	5412 ESS302416	30	24	16	28	22	102
5412 ESS302008	30	20	8	28	18	70	5412 ESS362416	36	24	16	34	22	119
5412 ESS302408	30	24	8	28	22	81	5412 ESS363016	36	30	16	34	28	142
5412 ESS303008	30	30	8	28	28	98	5412 ESS302420	30	24	20	28	22	113
5412 ESS303608	30	36	8	28	34	116	5412 ESS363020	36	30	20	34	28	155
5412 ESS362408	36	24	8	34	22	95	5412 ESS302424	30	24	24	28	22	123

† Add suffix '6' to the catalog number for 316 stainless steel. ex. 5412 ESS2424166
 * Only panels with sides 20" or more are double bent.

Suggested Accessories



p.347

p.346

p.346

p.346

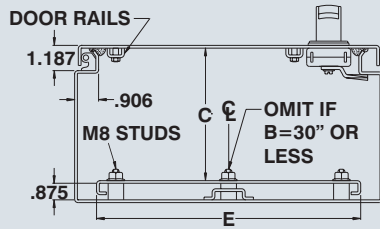
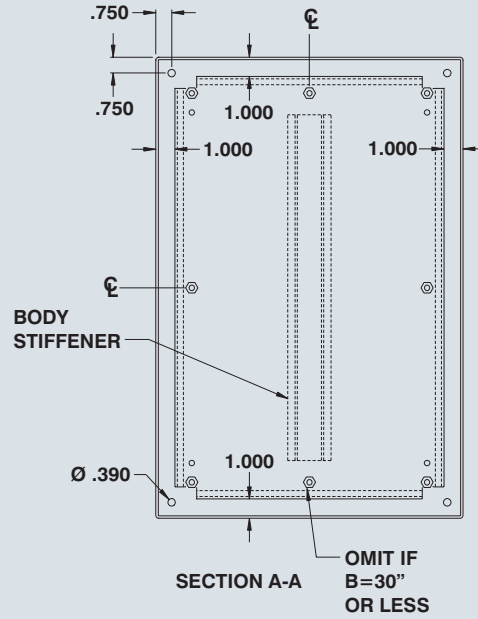
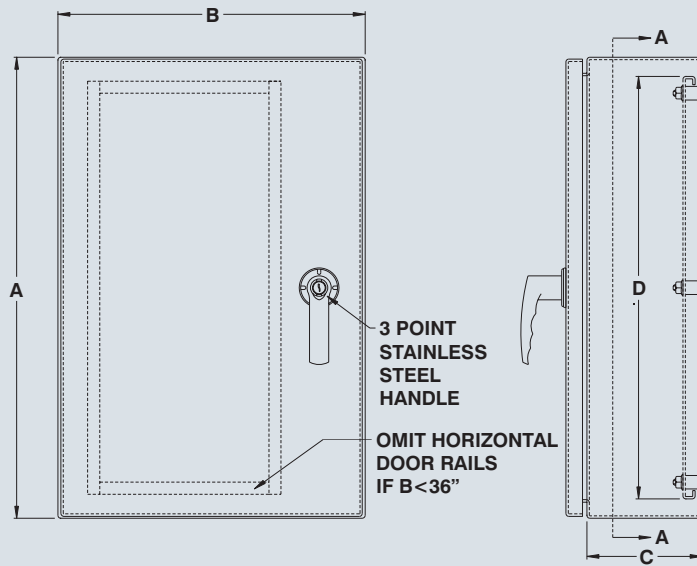
p.346

p.344

p.351

NEMA 4-4X ENCLOSURES

5412 ESS



CATALOG NUMBER	DIMENSIONS					SHIP WGHT LBS.
	A	B	C	D	E	
5412 ESS422408	42	24	8	40	22	110
5412 ESS423008	42	30	8	40	28	133
5412 ESS423608	42	36	8	40	34	156
5412 ESS482408	48	24	8	46	22	124
5412 ESS483008	48	30	8	46	28	150
5412 ESS483608	48	36	8	46	34	177
5412 ESS603608	60	36	8	58	34	218
5412 ESS423010	42	30	10	40	28	140
5412 ESS423610	42	36	10	40	34	164
5412 ESS483010	48	30	10	46	28	158
5412 ESS483610	48	36	10	46	34	185
5412 ESS603610	60	36	10	58	34	227
5412 ESS422412	42	24	12	40	22	118
5412 ESS423012	42	30	12	40	28	147
5412 ESS423612	42	36	12	40	34	172
5412 ESS482412	48	24	12	46	22	138
5412 ESS483612	48	36	12	46	34	193
5412 ESS602412	60	24	12	58	22	169
5412 ESS603612	60	36	12	58	34	236
5412 ESS723012	72	30	12	70	28	240
5412 ESS723612	72	36	12	70	34	279
5412 ESS423616	42	36	16	40	34	187
5412 ESS483616	48	36	16	46	34	210
5412 ESS603616	60	36	16	58	34	255
5412 ESS723016	72	30	16	70	28	260
5412 ESS723616	72	36	16	70	34	301
5412 ESS483620	48	36	20	46	34	226
5412 ESS603620	60	36	20	58	34	274
5412 ESS723020	72	30	20	70	28	280
5412 ESS723024	72	30	24	70	28	300

† Add suffix '6' to the catalog number for 316 stainless steel. ex. 5412 ESS4230086
 * Only panels with sides 20" or more are double bent.

Data subject to change without notice.

