

Adalet MS2000

Manual Motor Starter

Motor Starter Enclosure Features:

- Lightweight, corrosion resistant, copper free aluminum alloy body (0.3% max. copper content)
- Red and green pushbuttons for easy start/stop operation
- Bolted flange design provides clear access to internal components
- Durable cast on lugs cannot get lost
- Watertight 'O' ring for NEMA 4X applications.

Motor Starter Features:

- Cutler Hammer Type A302 Manual Motor Starter
- Range of sizes up to 25 amps
- Easy to operate pushbutton actuation
- Current setting dial
- Phase loss protection
- Snap-on accessories



ADALET
A SCOTT FETZER COMPANY

MMS20000

Manual Motor Starter

Motor Control • Explosionproof

Populated Enclosure Part Number

XIFC-040604-15021-1

Enclosure Compliances

- NEC: Class I, Groups C, D and Class II, Groups E, F, G
- UL Standard 1203 Hazardous (Classified) Locations
 - CSA Standard 22.2
 - NEMA: 7CD, 9EFG

Enclosure Specifications

Inside Nominal Dimensions:
4-1/8"W x 5-7/8"L x 4"D

Overall Dimensions:
5-3/8"W x 7"L x 5-5/16"D

Mounting Bolt Size:
5/16"

Shipping Weight:
8.5 lbs.

Options

Auxiliary Contacts (1NO, 1NC)	AC
Shunt Release	ST1
Under Voltage Protection	UV1
Breather/Drain	E
Lockout Device on Stop Pushbutton	LD
Stainless Steel Cover Bolts	

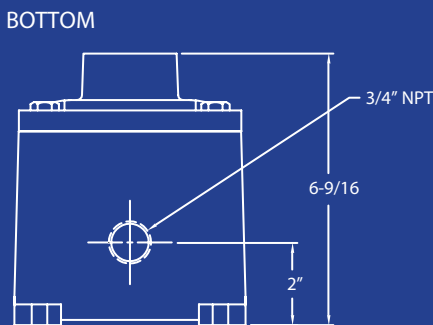
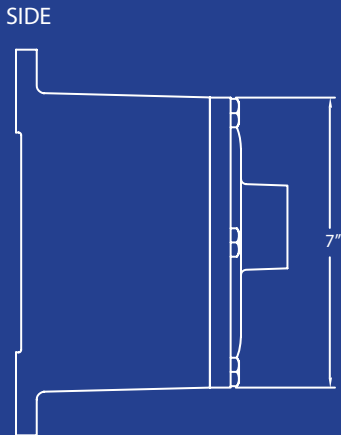
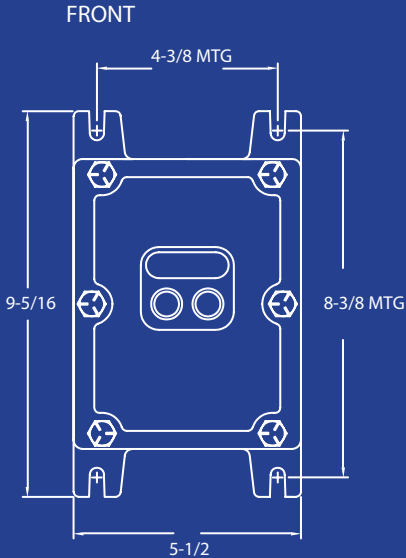
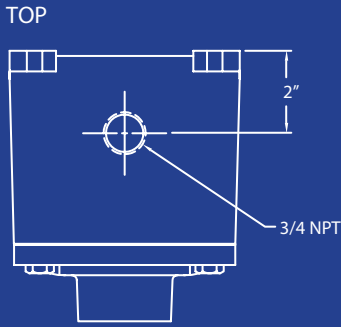
Approvals



• UL Classified: [Class I, Groups C, D] and [Class II, Groups E, F, G]



• CSA Certified: [Class I, Groups C, D] and [Class II, Groups E, F, G]



Part No. Suffix ^①	Adjustable Thermal Current Range (Amperes)	Maximum Single-Phase Horsepower ^②			Maximum 3-Phase Horsepower				Group Motor Applications 480V Max. Max. Fuse or Circuit Breaker Amperes	Cutler Hammer Manual Starter
		115V	200V	230V	200V	230V	460V	575V		
-1	0.10–0.16	–	–	–	–	–	–	–	1200	A302AN
-2	0.16–0.25	–	–	–	–	–	–	–	1200	A302BN
-3	0.25–0.40	–	–	–	–	–	–	–	1200	A302CN
-4	0.40–0.63	–	–	–	–	–	–	–	1200	A302DN
-5	0.63–1.0	–	–	–	–	–	1/2	1/2	1200	A302EN
-6	1.0–1.6	–	–	1-1/10	–	–	3/4	1	1200	A302FN
-7	1.6–2.5	–	1/8	1/6	1/2	1/2	1	1-1/2	1200	A302GN
-8	2.5–4.0	1/8	1/4	1/3	3/4	1	2	3	1200	A302HN
-9	4.0–6.3	1/4	1/2	1/2	1-1/2	1-1/2	3	5	1200	A302JN
-10	6.3–10.0	1/2	1	1-1/2	2	3	5	7-1/2	1200	A302KN
-11	10.0–16.0	1	2	2	3	5	10	10	1200	A302LN
-12	16.0–20.0	1-1/2	3	3	5	–	–	15	1200	A302MN
-13	20.0–25.0	2	–	–	–	7-1/2	15	20	1200	A302NN

^① Each part number suffix begins with XIFC-040604-15021.

^② Single-phase horsepower ratings are based on wiring the three starter poles in series.

Call Today 918.665.6888 or Online at: www.nema7.com

4237 S 74th E Ave. Tulsa, Oklahoma 74145 • T: 918.665.6888 • F: 918.663.8615