

Modular Freestanding Enclosures - NEMA 12

IMET Series Double Door Enclosure



Inner
Panel
Included

Order
Side
Panels
Separately



Application

- The IMET product line provides users with a rugged housing for industrial control and operator interface in harsh industrial environments.
- Modular design permits joining of units together for large scale and mixed use applications.
- A broad range of industry standard sizes are offered. Units are constructed to imperial dimensions and hardware sizes, with metric sizing provided for convenient reference.

Standards

- UL 508 Type 12
- CSA Type 12
- **Complies with**
 - NEMA Type 12
 - IEC 529 IP65

Standard Configuration

- Frame with integral solid top
- Lifting eyebolts
- 2 removable bottom panels
- 2 solid overlapping front doors with key locking handle
- Removable rear cover panels
- Inner mounting panel, additional panels available

Construction

- Formed 14 gauge steel.
- Frame has welded corner reinforcements.
- Mounting channels on sides of enclosure are oriented front to back for depth adjustment of mounting panels.
- Oil resistant gaskets are permanently secured on all openings.
- Reinforced eyebolts are provided for easy enclosure lifting.
- Frames are easily joined together with an optional joining kit...see page 234
- Doors can be easily removed and interchanged.
- Optional formed 16 gauge steel side panels are recessed to fit flush with the sides of the cabinet. **Side panels must be ordered separately...see page 232**
- Bonding and grounding studs are provided for all doors and panels.

Finish

- Phosphatized and finished in RAL 7032 beige (CG1) powder coating.
- Inner panels finished in white powder coating.

Accessories

- Additional inner panels...see page 233
- Bridge panel...see page 232
- Caster assembly-inside mounting...see page 240
- Caster assembly-outside mounting...see page 240
- Center depth support...see page 237
- Door mount rails...see page 232
- Door shelf...see page 237
- Door support wheel...see page 239
- Filter fans...see page 360-367
- Fold down shelf...see page 237
- Joining kit...see page 234
- Leveling feet...see page 238
- Light kit and accessories...see page 239
- Literature pocket...see page 238
- Power bars...see page 388-390
- Side mount inner panels...see page 233
- Side panels...see page 232
- Tamper resistant screws...see page 239
- Top mount fan...see page 363

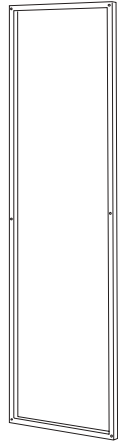
Modular Freestanding Enclosures - NEMA 12

IMET Series Double Door Enclosure

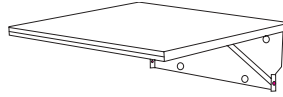
External Accessories



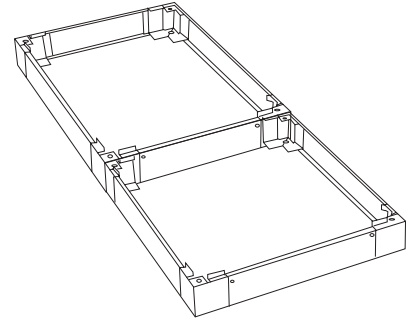
Side Panels
 ...see page **232**



Joining Kit
 ...see page **234**



Fold Down Shelf
 ...see page **237**

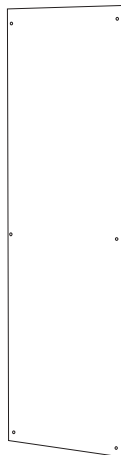


Plinths
 ...see page **237**

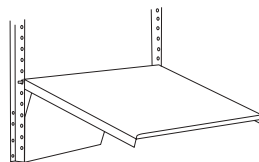
Internal Accessories



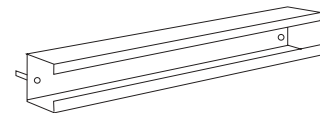
Bridge Panel
 ...see page **232**



Additional Inner Panels
 ...see page **235**



Door Shelf
 ...see page **237**



Center Depth Support
 ...see page **237**

For Additional Accessories...see page **232-241**

Modular Freestanding Enclosures
Double Door Modular

Modular Freestanding Enclosures - NEMA 12

IMET Series Double Door Enclosure

Part No.	Nominal Dimensions		Overall Dimensions (in/mm)					Panel Dimensions		Ship Wt. lbs	
	A x B x C(mm)		A	B	C	D	E	F	Height		Width
IMET16126	1600 x 1200 x 600	inch	70.31	45.22	23.63	59.81	13	10.5	61.75	39.97	410
		mm	1786	1149	600	1519	330	267	1568	1015	
IMET16128	1600 x 1200 x 800	inch	70.31	45.22	31.50	59.81	13	17.5	61.75	39.97	425
		mm	1786	1149	800	1519	330	445	1568	1015	
IMET18124	1800 x 1200 x 400	inch	77.31	45.22	15.75	66.81	13	10.5	68.75	39.97	405
		mm	1964	1149	400	1697	330	267	1746	1015	
IMET18125	1800 x 1200 x 500	inch	77.31	45.22	19.63	66.81	13	10.5	68.75	39.97	415
		mm	1964	1149	498	1697	330	267	1746	1015	
IMET18126	1800 x 1200 x 600	inch	77.31	45.22	23.63	66.81	13	10.5	68.75	39.97	425
		mm	1964	1149	600	1697	330	267	1746	1015	
IMET18128	1800 x 1200 x 800	inch	77.31	45.22	31.50	66.81	13	17.5	68.75	39.97	450
		mm	1964	1149	800	1697	330	445	1746	1015	
IMET18165	1800 x 1600 x 500	inch	77.31	63.00	19.63	66.81	17	10.5	68.75	57.75	550
		mm	1964	1600	498	1697	432	267	1746	1467	
IMET18166	1800 x 1600 x 600	inch	77.31	63.00	23.63	66.81	17	10.5	68.75	57.75	560
		mm	1964	1600	600	1697	432	267	1746	1467	
IMET18168	1800 x 1600 x 800	inch	77.31	63.00	31.50	66.81	17	17.5	68.75	57.75	580
		mm	1964	1600	800	1697	432	445	1746	1467	
IMET20124	2000 x 1200 x 400	inch	86.06	45.22	15.75	75.56	13	10.5	77.50	39.97	420
		mm	2168	1149	400	1919	330	267	1969	1015	
IMET20125	2000 x 1200 x 500	inch	86.06	45.22	19.63	75.56	13	10.5	77.50	39.97	450
		mm	2168	1149	498	1919	330	267	1969	1015	
IMET20126	2000 x 1200 x 600	inch	86.06	45.22	23.63	75.56	13	10.5	77.50	39.97	460
		mm	2168	1149	600	1919	330	267	1969	1015	
IMET20128	2000 x 1200 x 800	inch	86.06	45.22	31.50	75.56	13	17.5	77.50	39.97	490
		mm	2168	1149	800	1919	330	445	1969	1015	
IMET20165	2000 x 1600 x 500	inch	86.06	63.00	19.63	75.56	17	10.5	77.50	57.75	540
		mm	2168	1600	498	1919	432	267	1969	1467	
IMET20166	2000 x 1600 x 600	inch	86.06	63.00	23.63	75.56	17	10.5	77.50	57.75	550
		mm	2168	1600	600	1919	432	267	1969	1467	
IMET20168	2000 x 1600 x 800	inch	86.06	63.00	31.50	75.56	17	17.5	77.50	57.75	570
		mm	2168	1600	800	1919	432	445	1969	1467	

Maximum Usable Depth

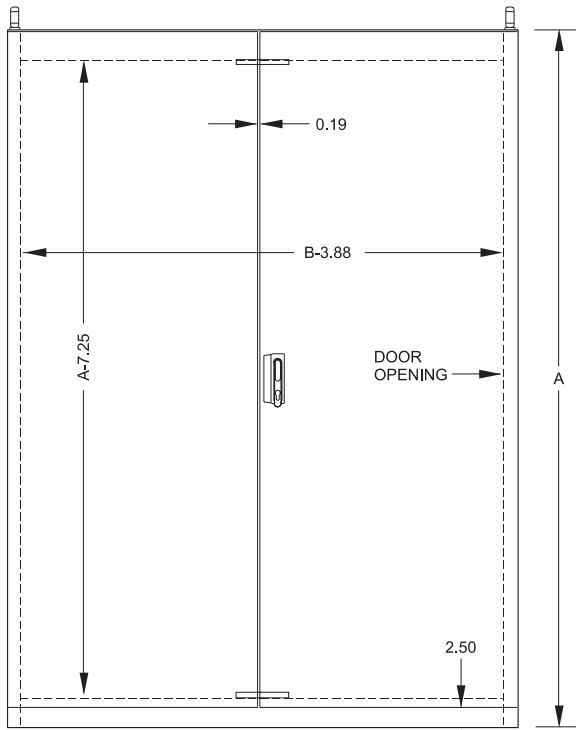
Panel in Full Back Position

Cabinet Depth (mm)	Without Bridge Panel (Inches)	With Bridge Panel (Inches)
400	14.63	13.88
500	18.50	17.75
600	22.50	21.75
800	30.38	29.63

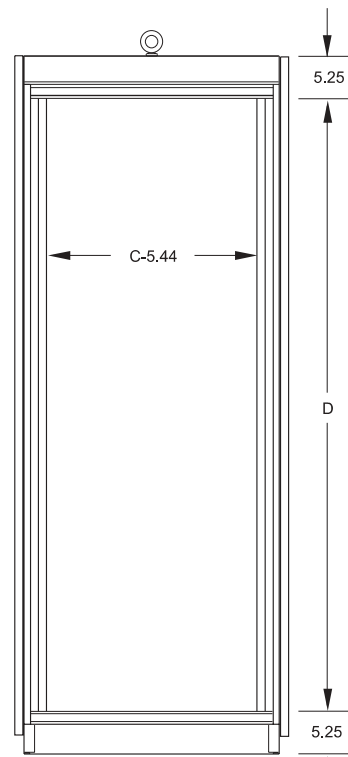
Modular Freestanding Enclosures
Double Door Modular

Modular Freestanding Enclosures - NEMA 12

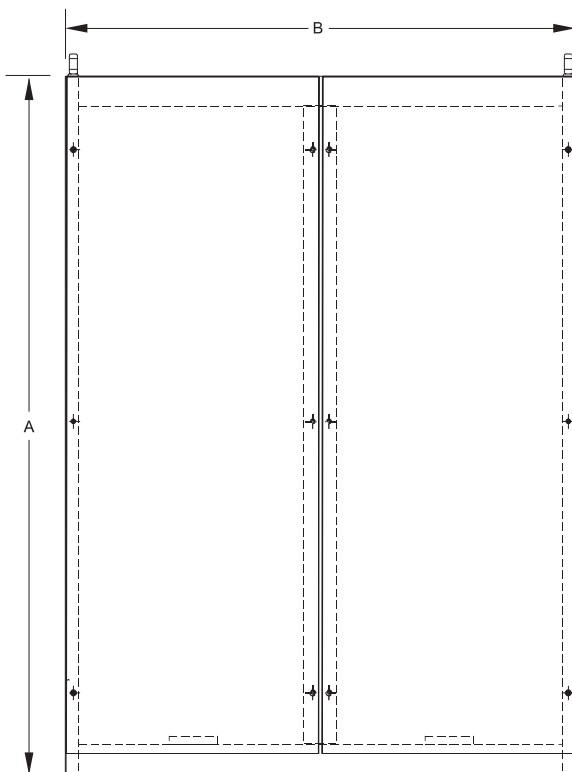
IMET Series Double Door Enclosure



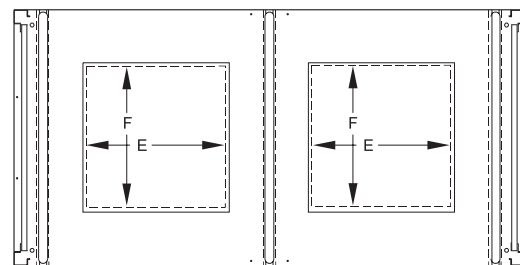
Front View



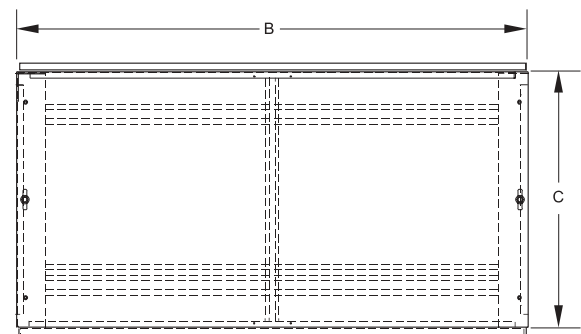
Side View Cross Section



Rear View



Bottom View - Doors removed Cross Section



Top View - Doors installed

Note: 1600 mm wide feature 2 piece rear cover;
1200 mm wide feature 1 piece rear cover.

Modular Freestanding Enclosures
Double Door Modular